
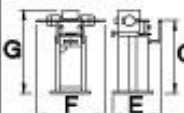



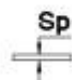
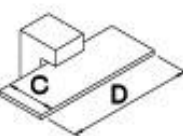

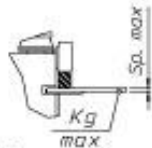







ART. 37		SBAVALMIERA DEBURRING MACHINE EBARBEUSE RECTOVERSO A ROUES LAMELLÉES BLECHENTGRATMASCHINE									
 Nr.2 Volt 400 kW 0,75						 Nr. 2					
hp	Rpm	m/s	E	F	G	G1	dB	kg	Ø mm	Sp	
1	1400	18	700	1000	1200	990	72	140	Ø250x50xØ100	0÷4	
											
C	D	OPTIONAL: AUTOMATIC ADVANCING -AV.37-		OPTIONAL		OPTIONAL		OPTIONAL			
120	1000		kW	Rpm	m/min	Sp. max	kg max	IA-1			
			0,20	1400	1÷5	4	35	kW 0,55			