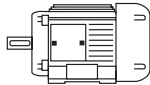
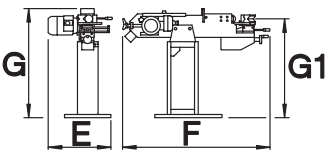


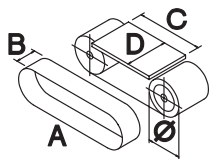

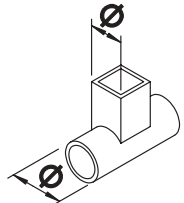
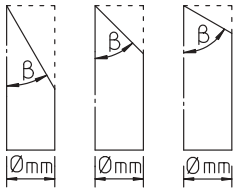
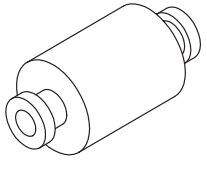

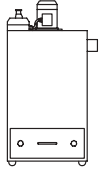




ART. 60		LEVIGATRICE PER INCAVI PIPE NOTCHER MACHINE GRUGEUSE DE TUBES ROHRAUSSCHLEIFER													
 Volt 400 kW 3								 kg					 STANDARD		
hp	Rpm	m/s	E	F	G	G1	dB	kg	A	B	C	D	Ø	Ø''	R
4	2800	30	650	1500	1040	960	70	125	2000	75	400	75	200	Ø1" ¼	75
						 OPTIONAL			 OPTIONAL			 OPTIONAL			
Ø mm			Max Ø mm x β°			Ø			kW	Rpm	m/s	ASP.01			
Min 20 ÷ 70 Max			37x30° 52x45° 64x60°			20 - ½" - ¾" - 1" - 1 ½" - 2" - 70			3	1400 2800	15 30	kW 1,5			